

HASSELBLAD HC 3.5/35

GENERAL LENS DATA:

Focal length	35.8 mm
Aperture range	3.5 - 32
Angle of view diag/hor/vert	89°/78°/63°
Length/diameter	124 mm/100 mm
Weight	975 g
Filter diameter	95 mm

CLOSE FOCUS RANGE DATA:

Minimum distance object to film	0.50 m
Maximum image scale	1:9.6
Corresponding area of coverage	54 x 40 cm
Corresponding exposure reduction	0 f-stop



COMPATIBILITY

The HC3,5/35 mm lens is not compatible with the converter 1.7x.

LENS DESIGN

11 elements in 10 groups

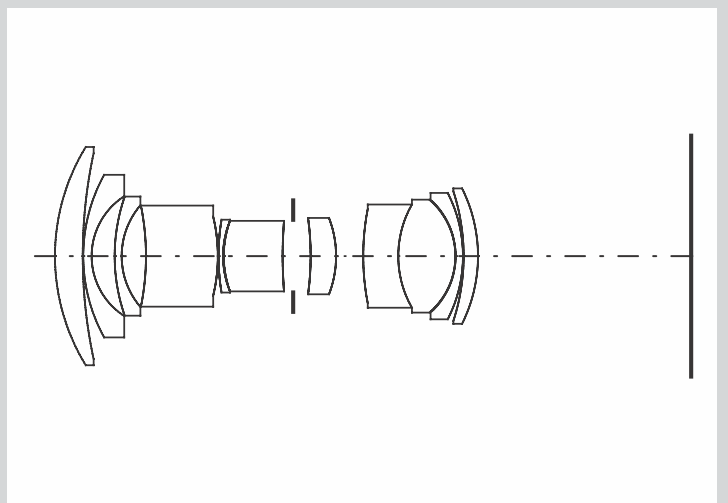
FOCUS TYPE

Rear focusing

ENTRANCE PUPIL POSITION

152 mm in front of the film plane
(at infinite focus setting)

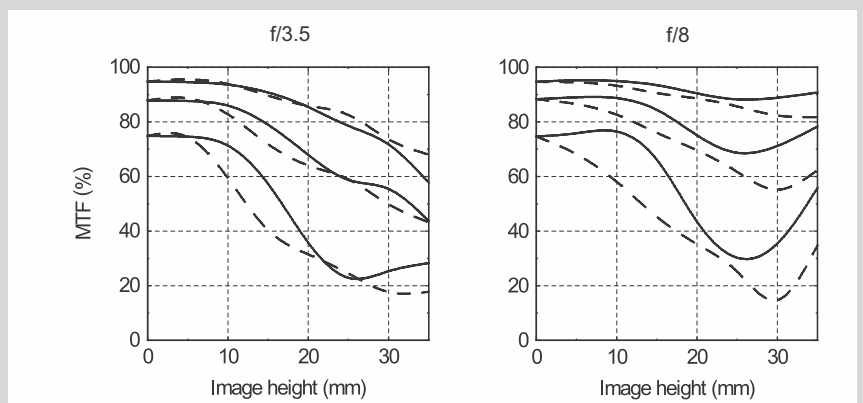
The entrance pupil position is the correct position of the axis of rotation when making a panorama image by combining individual images of a scene.



MTF

Modulation Transfer as a function of image height at infinite focus setting.

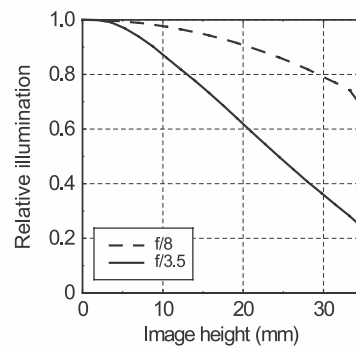
Sagittal slit orientation drawn with continuous line and tangential with dashed. White light. Spatial frequencies 10, 20 and 40 lp/mm



HASSELBLAD HC 3.5/35

RELATIVE ILLUMINATION

Infinity setting



DISTORTION

Infinity setting

